



Datasheet

Draw-wire system SZG140

www.wachendorff-automation.com/szg140

Wachendorff Automation

... systems and encoders

- Complete systems
- Industrial rugged encoders to suit your application
- Standard range and customer versions
- Maximum permissible loads
- 48-hour express production
- Made in Germany
- Worldwide distributor network

Rugged draw-wire system SZG140



- Ball bearing drill protection
- Measuring rope (stainless steel)
- Bushing
- Quick and easy mounting

www.wachendorff-automation.com/szg140

Customs tariff number: 90318020
Country of origin: Germany

Mechanical Data

Measurement range [mm]	Extraction force		Speed V_{max} [m/s]	Acceleration a_{max} [m/s ²]
	F_{min} [N]	F_{max} [N]		
5000	8.0	11.6	8	120

Technical data SZG140

Measurement range	[mm]	5000
Linearity	[%]	0.05 (encoder output)
Disc circumference	[mm]	317.68
Temperature range	[°C]	-20 °C up to +85 °C (observe max. encoder temperature)
Weight	[g]	approx. 1300
Housing		aluminium, anodised, spring case PA6
Encoder requirements		Shaft: Ø 10 mm, clamping flange: Ø 36 mm, shaft length: 20 mm
Order No.: without encoder		SZG1400500UZVK

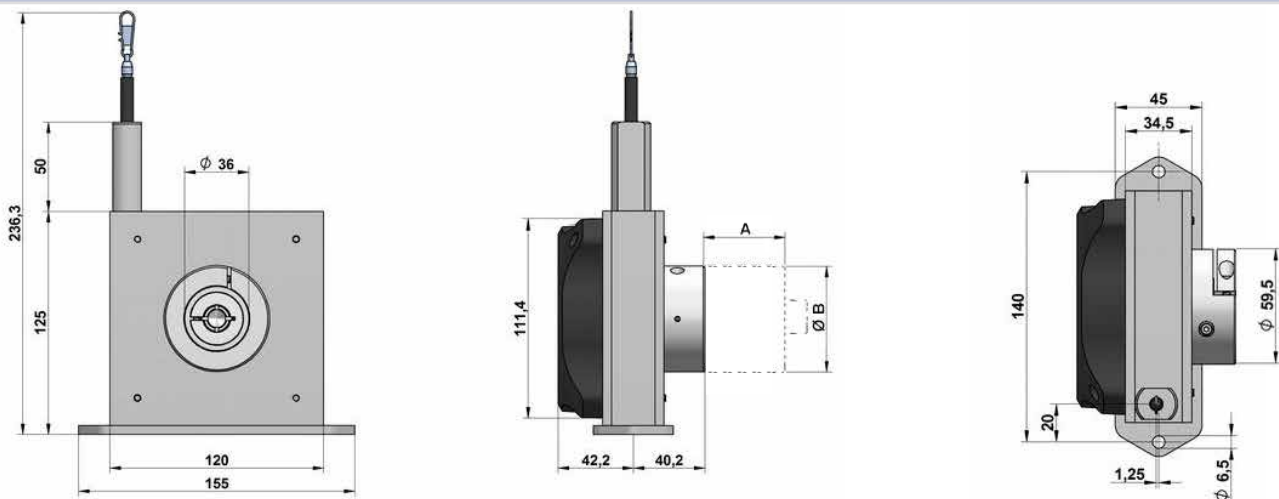
Example Order No.: incremental

Type	Wire length	Pulses	Channels	Output circuit	Connection
SZG140	0500	02500	AB	R24	SB8

Example Order No.: absolute




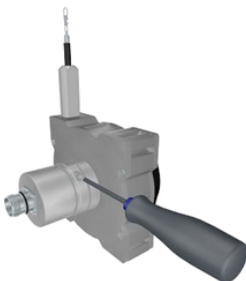
Type	Wire length	Single-turn	Multi-turn	Interface	Software	Code	Power supply	galv. isolation	Connection
SZG140	0500	12	18	CO	A	B	0	0	CB5

Technical drawing SZG140



A, B = For dimensions please refer to the data sheet of the encoder used.

SZG140 Encoder mounting

	<p>1.</p> <p>Please insert the encoder into the clamping flange.</p>		<p>2.</p> <p>The encoder is now connected to the clamping flange.</p>
	<p>3.</p> <p>By tightening (approx. 2 Nm) the inner radial screw with a 2.5 mm hex wrench the encoder shaft will be clamped to the sensor mechanics and secured from twisting.</p>		<p>4.</p> <p>By tightening (approx. 2 Nm) the outer radial screw with a 2.5 mm hex wrench the encoder housing will be clamped to the sensor housing and secured from twisting. The system is now ready to be used.</p>

Installation


- Mount the sensor at the designated place by using the fixing holes before extracting the rope and before attaching the rope to the measuring target.
- Open the rope clip after the sensor is fully mounted and extract the measuring rope. Hook the rope clip on the measuring object and close the bracket of the clip. For safety reasons put a screw driver trough the clip to extract the rope.
- Check the track of the measuring target on collision with the sensor housing and on exceeding the specified measurement range. When installing the sensor make sure that the rubber stopper does not touch the rope outlet.
- Connect the electronics according to the sensor type. When laying the cables be careful not to under-run the minimal allowed bending radius of the cable (5 x cable diameter).
- The rope must be extracted from the sensor vertically. The maximum variation from the vertical is 3°. Avoid carefully extracting the rope at an inclination, since the durability of the instrument would shorten considerably. If it is not possible to keep the limit of 3°, a deflection pulley has to be used.
- The measuring range begins after approximately 2 mm extracted rope (=zero point). The mechanical reserve at the end of the measuring range is about 20 mm.
- When mounting outdoors protect the sensor and the rope from icing at temperatures below 0 °C.
- Guide the rope preferably in corners or guarded in channels to prevent pollution or accidental touch.
- When operating the sensor, take care not to let the rope snap back by mistake or extract the rope over the specified measurement range, as this might destroy the sensor.
- Maintenance: These instruments are maintenance-free. If however, the rope is soiled due to adverse environmental conditions, it can be cleaned with a cloth drenched in resin-free machine oil.

WARNING NOTICES

- Don't let the rope snap back. If the rope is retracted freely, this may lead to injuries (whiplash effect) and the device may be damaged. Caution when unhooking and retracting the rope into the sensor.
- Never exceed the specified measurement range when extracting the rope!
- Do not touch the rope when operating the sensor.
- Avoid guiding the rope over edges or corners. Use a deflection pulley instead.
- Do not operate the sensor if the rope is buckled or damaged. A ripping of the rope may lead to injuries or a damaging of the sensor.
- Do not oil or grease the entire wire pull system.
- Do not pull the measuring wire at an angle.
- Attach the measuring cable retracted to the object to be measured.
- Do not try to open the device. The stored energy of the spring drive may lead to injuries when being mishandled.
- A tensioned measuring cable can lead to injuries in the area where operating personnel are present.
- Do not damage the measuring wire.
- Draw-wire displacement sensors are used for displacement and displacement measurement or position detection of components or moving machine components.
- The sensor may only be operated within the values specified in the technical data.
- The sensor must be used in such a way that no persons are endangered or machines and other material goods are damaged in the event of malfunction or total failure of the sensor.





Montage nur qualifiziertes Personal. Personal, Assembly only qualified personnel, Montage par qualifié personnel, Montaggio solo personale qualificato, Montaje solamente personal cualificado.





Sicherheitsmassnahmen/Safety instructions: Einsatz nur in Industrieumgebung und NICHT im sicherheitsrelevanten Bereich. Only for use in industrial environments and NOT for safety-relevant areas. Utilisation uniquement dans un environnement industriel et PAS dans un domaine lié à la sécurité. Utilicelo sólo en entornos industriales y NO en áreas relevantes para la seguridad. Utilizzare solo in ambienti industriali e NON in aree riguardanti la sicurezza.



DIN EN 100015 - 1

Power supply: Class 2 only

Note: All incremental WDG158B or absolute WDG A58B encoders are suitable for mounting.

WACHENDORFF
The Encoder Experts

Authorized Distributor

For further information please contact our local distributor.
Here you find a list of our distributors worldwide.

<https://www.wachendorff-automation.com/contact-sales-en/>

WACHENDORFF

Wachendorff Automation GmbH & Co. KG
Industriestrasse 7 • D-65366 Geisenheim

Tel.: +49 (0) 67 22 / 99 65 - 25
Fax: +49 (0) 67 22 / 99 65 - 70
E-Mail: wdg@wachendorff.de
www.wachendorff-automation.com

