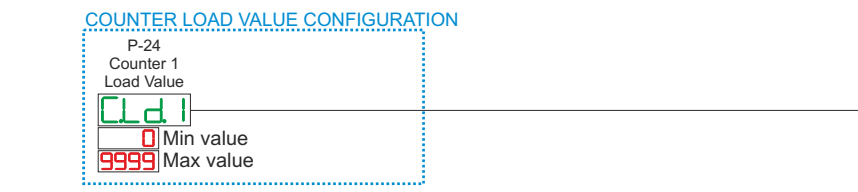
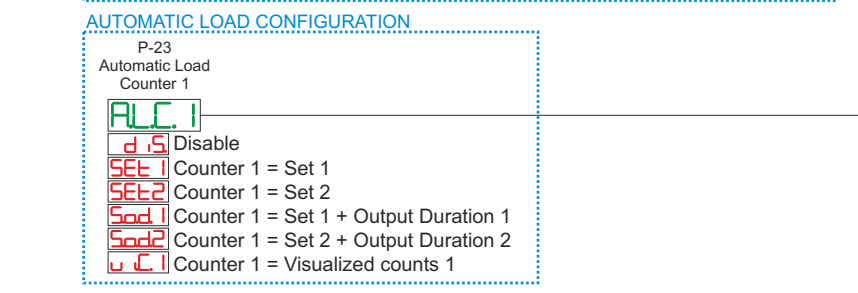
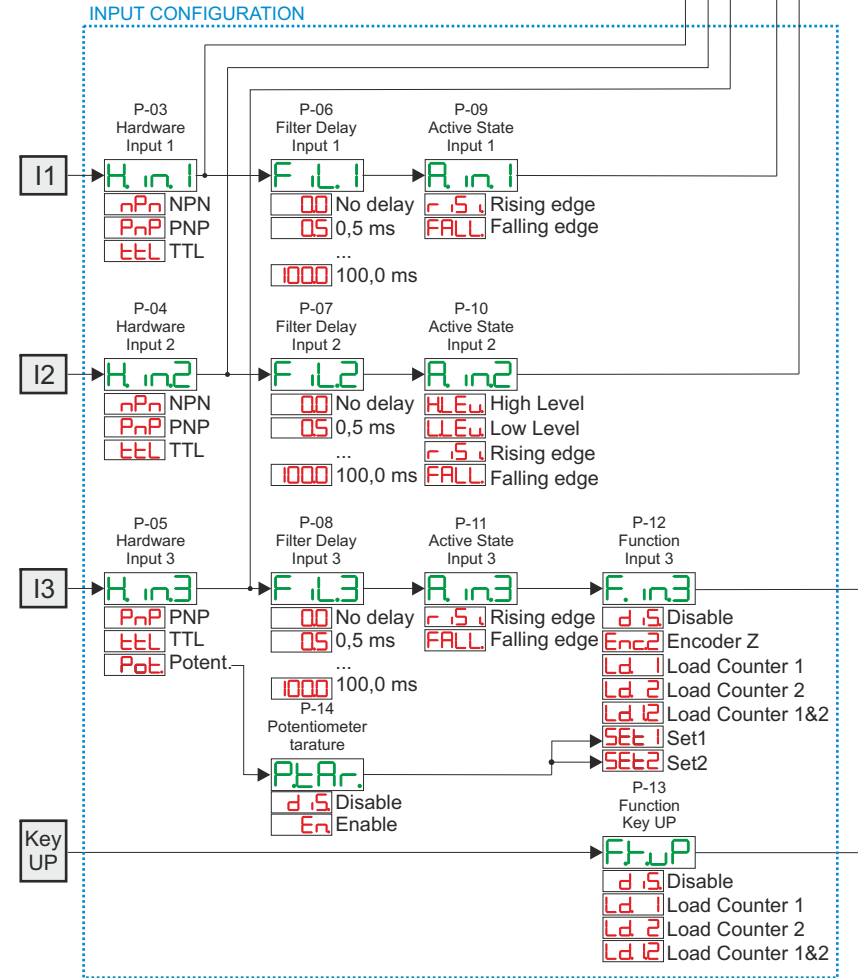
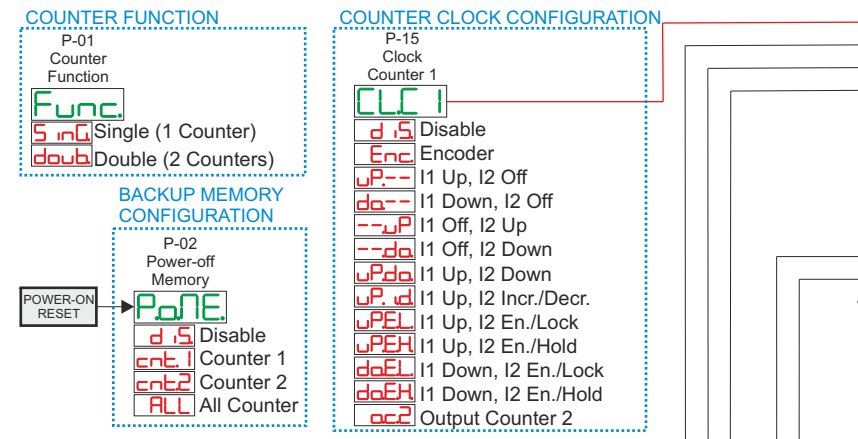


ZD327401 "COUNTER"



LOGIC LEVEL	INPUT TYPE	NPN INPUT	PNP INPUT	TTL INPUT
H		< 4,7 v	>5,7 v (I1, I2) >12,4 v (I3)	>2,5 v
L		> 5,7 v	< 4,7 v (I1, I2) < 10,2 v (I3)	< 2,0 v

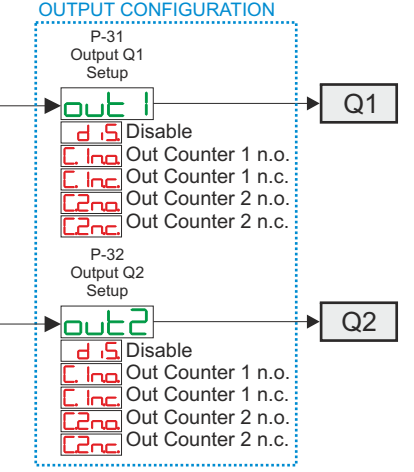
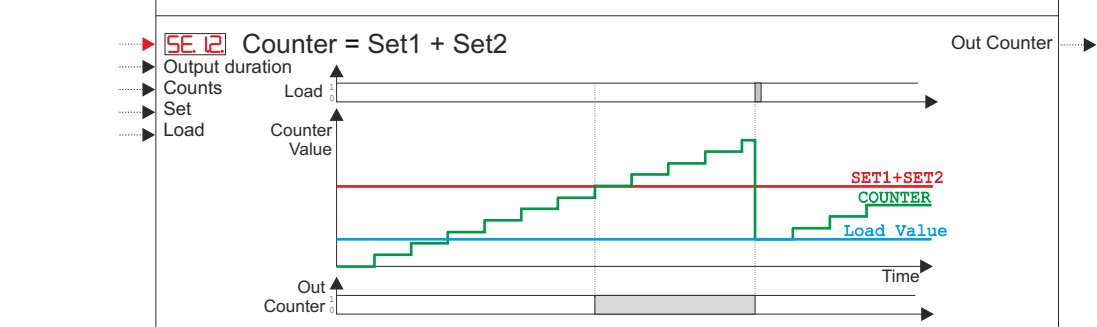
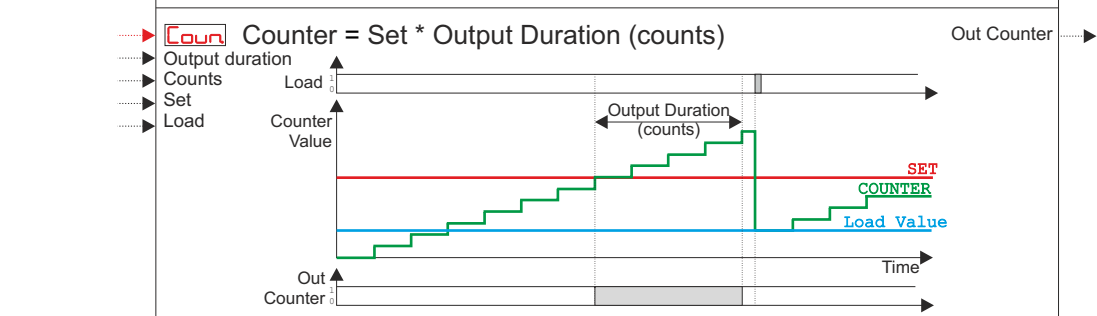
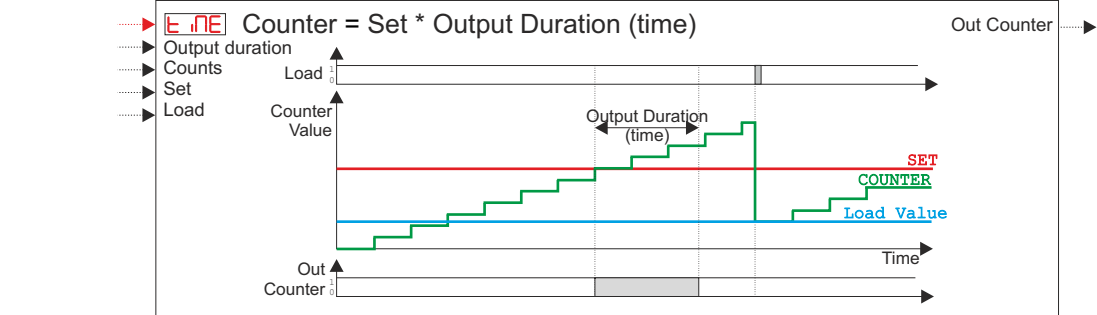
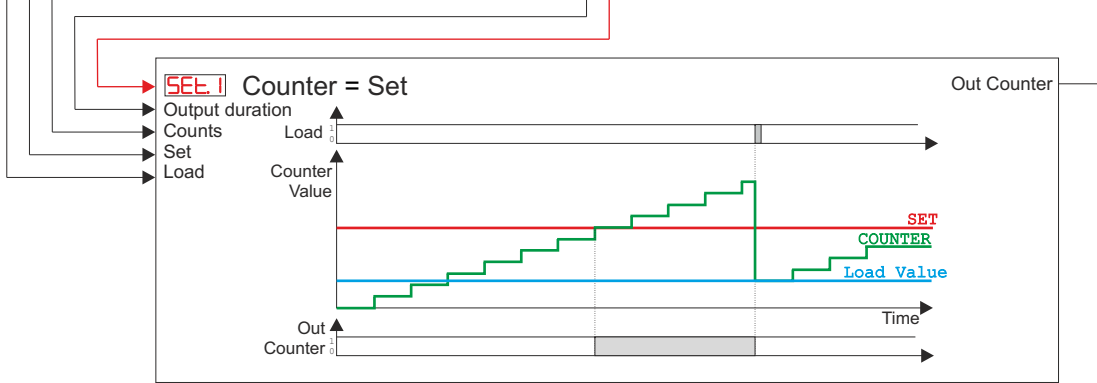
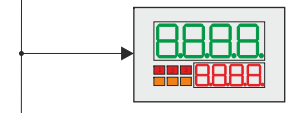
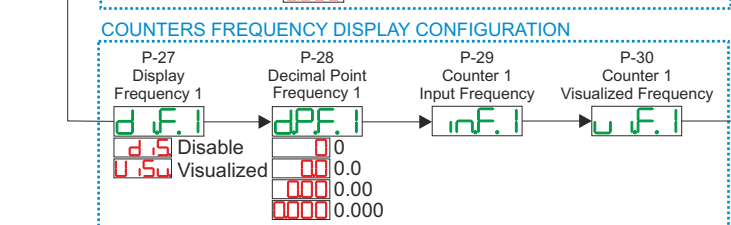
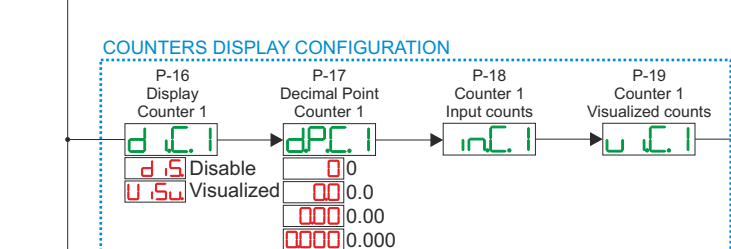
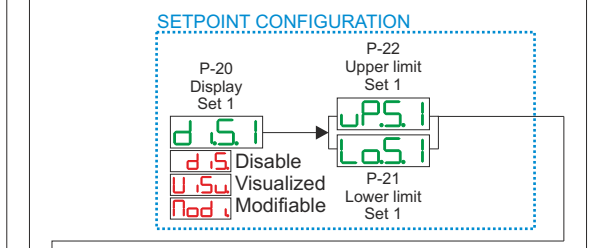
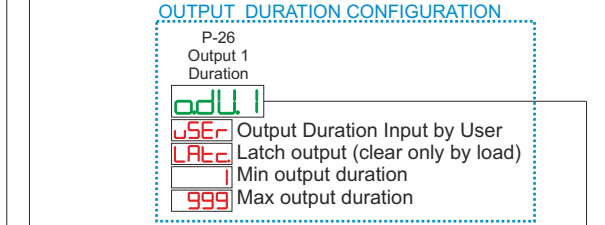
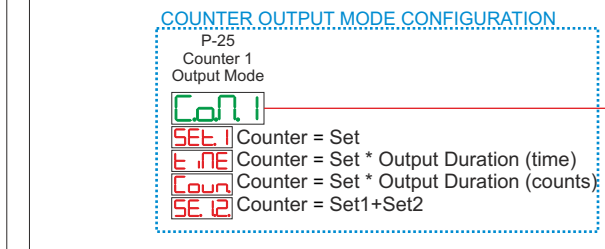
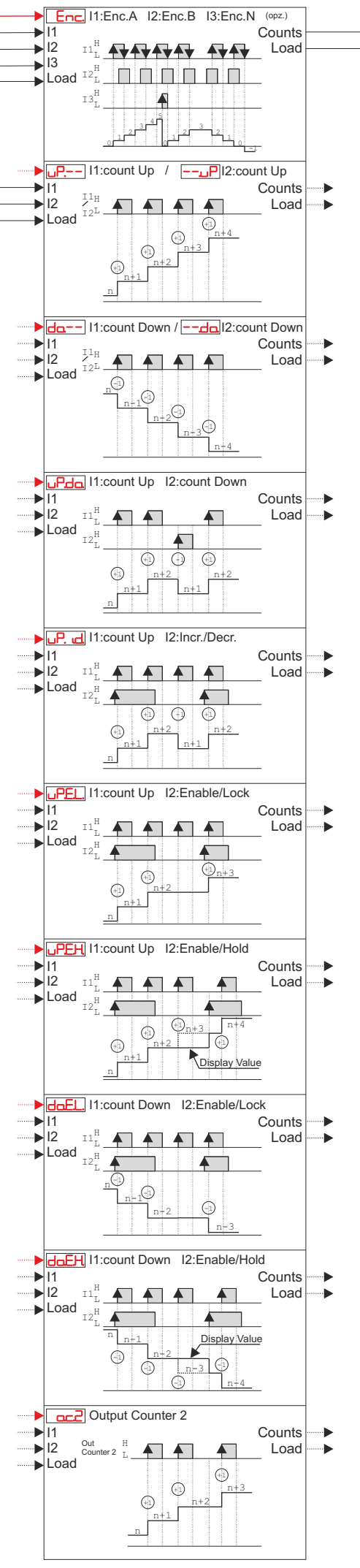


TABLE OF ERROR MESSAGES

E-01	ERROR IN WRITING OF EEPROM
E-02	ERROR IN READING OF EEPROM
E-03	INCORRECT PARAMETERS (Note 1)
E-04	INCORRECT CALIBRATION DATA (Note 1)
E-05	INCORRECT STATUS DATA (Note 1)
E-06	INCORRECT BACKUP REGISTERS (Note 2)

Note 1: Switch the device off and restart it, if error is still notified contact technical service.
 Note 2: Discharged battery, keep the device connected to the power supply in order to recharge the battery.